

LED Explosion Proof Light



CE RoHS



- Class I, Division 1, Groups C & D
- Class I, Division 2, Groups A, B, C & D
- Class II, Division 1 & 2, Groups E, F & G
- Class III
- UL 844 Hazardous Locations
- UL 1598 Wet Locations
- UL 8750 LED Safety
- CSA C22.2 No. 250.0-08
- CSA C22.2 No. 137-M1981
- -40°F (-40°C) to 149°F (65°C) / -40°F (-40°C) to 131°F (55°C) Ambient Temperature
- IP66 ● DLC Listed ● CNEX ● ATEX/IECEX ● CE&RoHS



LED Explosion Proof Light

Key Features:

- 1 Heavy duty aluminum alloy housing
- 2 Impact resistant clear lens with tempered glass
- 3 Professional light distribution, uniform illumination through the entire space
- 4 Stainless steel safety rope
- 5 Standby cable entrance
- 6 Accurate angle adjustment for mounting



Additional Features:

- Standard 4KV surge protection
- 120 Beam angle is standard, 30 , 60 and 90 are optional.
- 5-year warranty

Standard Materials:

- Body:ADC12,die casting aluminum with yellow-painted finish options.
- Safety rope: stainless steel.
- Lens: tempered clear glass.

Features & Benefits:

- 1 Environmentally Friendly 50,000 hrs lifetime
- 2 Superior color rendering index compared to HPS, LPS or MV
- 3 Low temperature applications to -40°F (-40°C) and high temperature up to 149°F (65°C) /131°F (55°C)
- 4 Best-in-class efficacy-Up to 110 lumens per watt
- 5 Professional light distribution design, uniform and comfortable lighting
- 6 Temperature compensation technology for longer life
- 7 Low maintenance costs and power consumption reduced by over 50%

Catalog Number Logic

KLE1017 - U - 185 - 50 - 12-XX

1

2

3

4

5

6

1 BASIC SERIES

- KLE1017

2 VOLTAGE/FREQUENCY

- U=100-277V 50/60Hz
- V=277-480V 50/60Hz

3 LAMP WATTAGE

- 085=85 Watt
- 100=100 Watt
- 120=120 Watt
- 200=200 Watt
- 135=135 Watt
- 150=150 Watt
- 185=185 Watt

4 CCT

- 60=6000K CCT
- 50=5000K CCT
- 40=4000K CCT
- 30=3000K CCT

5 LIGHT DISTRIBUTION ANGLE

- 03=30x30
- 06=60x60
- 09=90x90
- 12=120x120

6 OPTIONS

- HM = Holder Mount
- WM = Wall Mount
- CM = Ceiling Mount

Class I, Division 1, Groups C & D

Class I, Division 2, Groups A, B, C & D

Class II, Division 1 & 2, Groups E, F & G

Class III

-40°F (-40°C) < Ta < 149°F (65°C) / -40°F (-40°C) < Ta < 131°F (55°C)

Mounting Hardware not included.

Please see options for mounting selections.

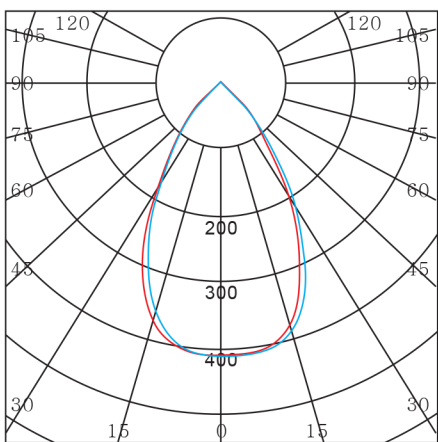
LED Explosion Proof Light

Certification Guide:

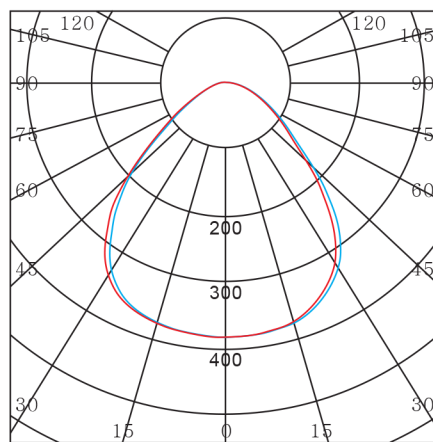
Model	Wattage	Operating Voltage	Total Lumens	Lumen per Watt	CRI	CCT *	Ambient Temperature	Class I, Division 1, Groups C & D	Class I, Div. 2, Group A,B, C&D	Class II, Div. 2, Group F & G Class III	Simultaneous Presence	Supply Wire Suitable Temperature
KLE1017U08550	85W	100-277V 50/60Hz	9610	113	80	5032	-40°F<Tamb<149°F/-40°C<Tamb<65°C	T6	T6	T6	T6	80°C
KLE1017U10050	100W	100-277V 50/60Hz	11000	110	80	5020	-40°F<Tamb<149°F/-40°C<Tamb<65°C	T6	T6	T6	T6	80°C
KLE1017U12050	120W	100-277V 50/60Hz	13680	114	80	5040	-40°F<Tamb<149°F/-40°C<Tamb<65°C	T6	T6	T6	T6	80°C
KLE1017U13550	135W	100-277V 50/60Hz	15120	112	80	5026	-40°F<Tamb<149°F/-40°C<Tamb<65°C	T6	T6	T6	T6	80°C
KLE1017U15050	150W	100-277V 50/60Hz	16500	110	80	5018	-40°F<Tamb<131°F/-40°C<Tamb<55°C	T5	T5	T5	T5	80°C
KLE1017U18550	185W	100-277V 50/60Hz	20540	111	80	5023	-40°F<Tamb<131°F/-40°C<Tamb<55°C	T5	T5	T5	T5	80°C
KLE1017U20050	200W	100-277V 50/60Hz	22000	110	80	5024	-40°F<Tamb<131°F/-40°C<Tamb<55°C	T5	T5	T5	T5	80°C
KLE1017V08550	85W	277-480V 50/60Hz	9610	113	80	5028	-40°F<Tamb<149°F/-40°C<Tamb<65°C	T6	T6	T6	T6	80°C
KLE1017V10050	100W	277-480V 50/60Hz	11000	110	80	5024	-40°F<Tamb<149°F/-40°C<Tamb<65°C	T6	T6	T6	T6	80°C
KLE1017V12050	120W	277-480V 50/60Hz	13680	114	80	5025	-40°F<Tamb<149°F/-40°C<Tamb<65°C	T6	T6	T6	T6	80°C
KLE1017V13550	135W	277-480V 50/60Hz	15120	112	80	5020	-40°F<Tamb<149°F/-40°C<Tamb<65°C	T6	T6	T6	T6	80°C
KLE1017V15050	150W	277-480V 50/60Hz	16500	110	80	5026	-40°F<Tamb<131°F/-40°C<Tamb<55°C	T5	T5	T5	T5	80°C

* All values typical unless otherwise stated (tolerance +/- 10%)

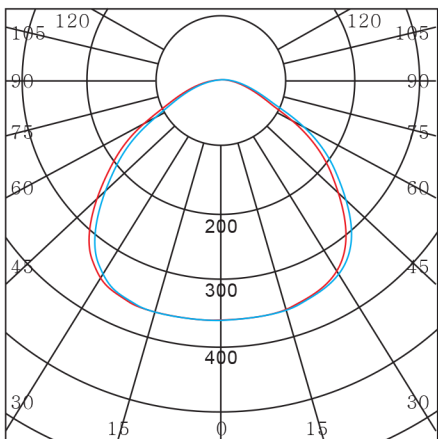
Photometric Data:



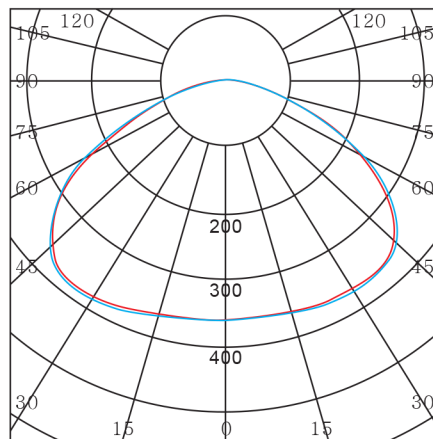
30



60



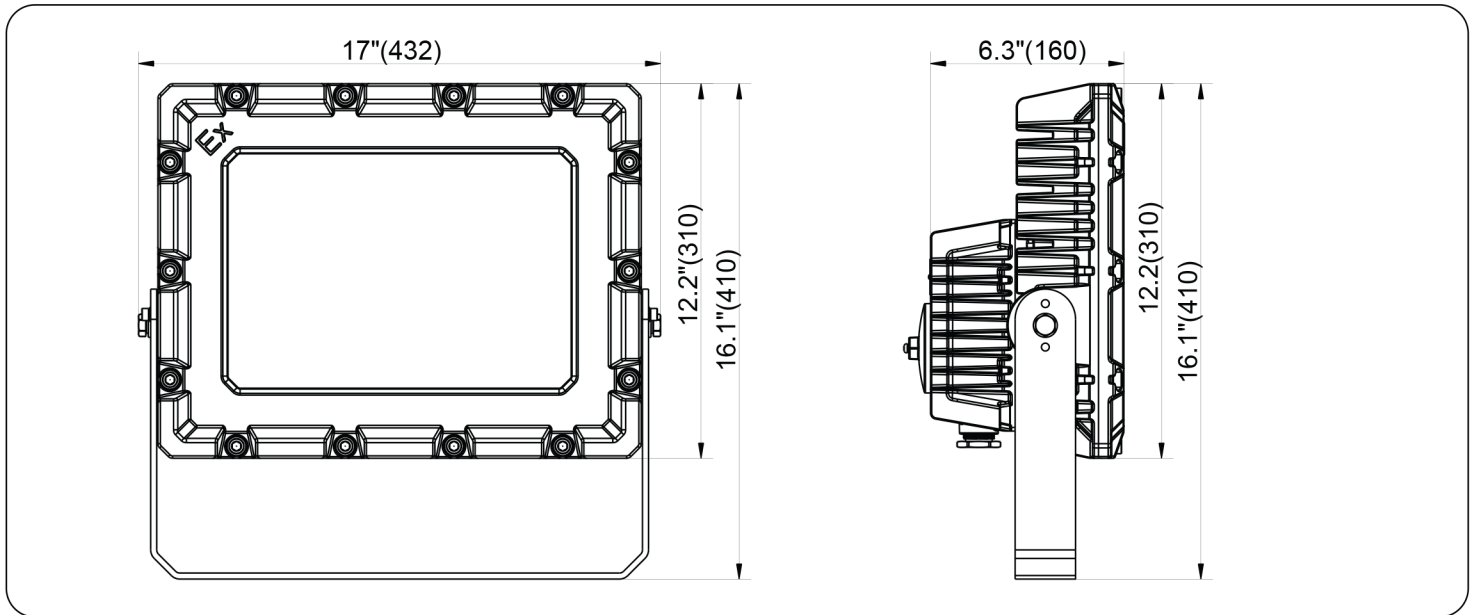
90



120

LED Explosion Proof Light

Fixture Dimensions and Weight



Model	Dimensions(mm)	Net Weight(Kg/lbs.)	Boxed Weight(Kg/lbs.)	Shipping Volume (m ³ /cu ft)
KLE1017U085/KLE1017V085	432*160*410	16.5/36.3	18.5/40.8	0.0384/1.356
KLE1017U100/KLE1017V100	432*160*410	16.5/36.3	18.5/40.8	0.0384/1.356
KLE1017U120/KLE1017V120	432*160*410	16.5/36.3	18.5/40.8	0.0384/1.356
KLE1017U135/KLE1017V135	432*160*410	16.5/36.3	18.5/40.8	0.0384/1.356
KLE1017U150/KLE1017V150	432*160*410	16.5/36.3	18.5/40.8	0.0384/1.356
KLE1017U185	432*160*410	16.5/36.3	18.5/40.8	0.0384/1.356
KLE1017U200	432*160*410	16.5/36.3	18.5/40.8	0.0384/1.356

Mounting:

