

Solar LED Street Light - DS Series

2000lm/40000lm/6000lm/8000lm/10000lm/12000lm



IP66

IK10



ALL
in one

1. ADC12+aviation grade 6063 aluminum housing
2. Precision die-casting aluminum housing, strong and durable
3. Double-sided high efficiency monocrystalline silicon solar panel
4. Easy to install, maintenance, Auto on/off
5. Precisely adjustable module angle, the number of modules can be increased or decreased.
6. The Photoelectric conversion efficiency is as high as 22% on the front and 16% on the back.

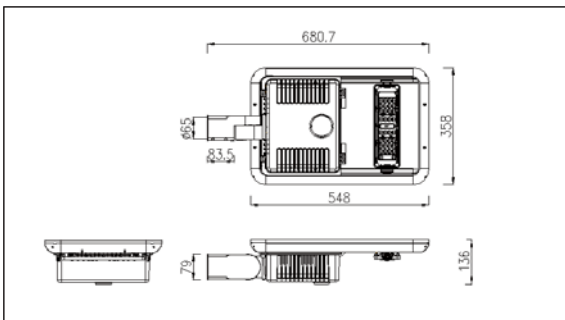


Application

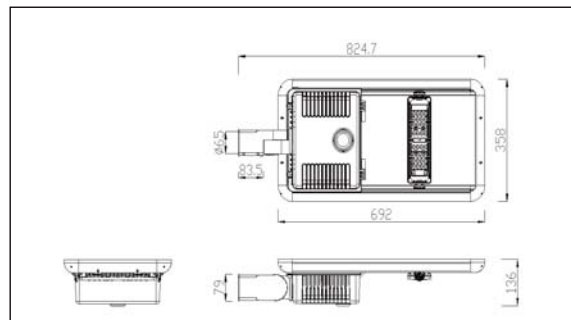
1. Street Lighting, Road Lighting, Roadway Lighting
2. Outdoor Area Lighting, High Mast Lighting
3. Park, schools, square, Parking lots



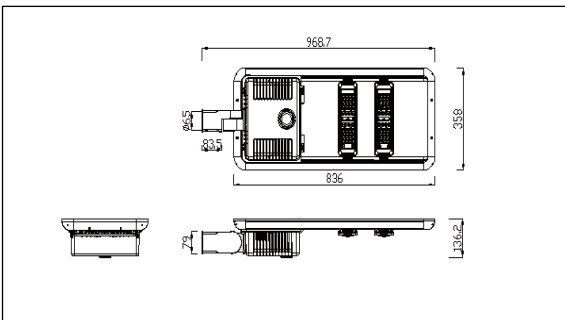
Dimension (Unit: mm)



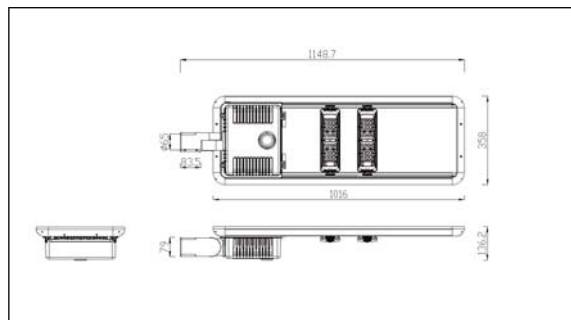
DS-2000lm



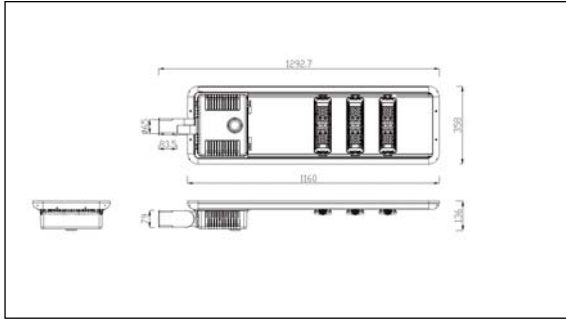
DS-4000lm



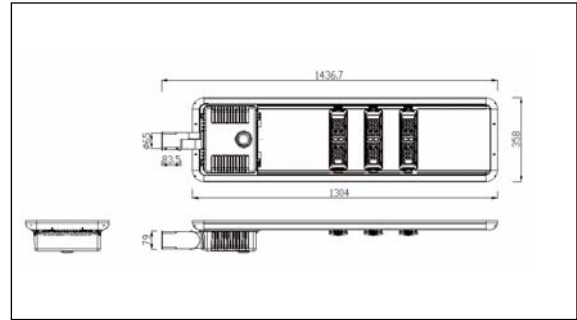
DS-6000lm



DS-8000lm



DS-10000lm



DS-12000lm



Technical Specification

A: Technical Parameter

Model	DS-2000lm	DS-4000lm	DS-6000lm	DS-8000lm	DS-10000lm	DS-12000lm
Lumen	2000lm	4000lm	6000lm	8000lm	10000lm	12000lm
Solar Panel	18V 30W	18V 40W	18V 50W	18V 60W	18V 70W	18V 80W
Mounting Height	4-5m	5-6m	6-7m	7-8m	8-9m	9-10m
Battery	12.8V 18AH	12.8V 24AH	12.8V 30AH	12.8V 36AH	12.8V 42AH	12.8V 48AH
Dimension	680.7*358*136mm	824.7*235*150mm	968.7*235*150mm	1148.7*435*234mm	1292.7*435*234mm	1436.7*435*234mm
Battery type	LiFeO4					
Cloudy/Rainy days	3-5Cloudy/Rainy days					
Solar Charging Time	6-10 hours by bright sunlight					
Motion sensor	Yes					
Certificates	CE、ROSH ETL					
IP Rating	IP65					
Working Temperature	-25°C to 65°C					
Install Pole diameter	Φ60-Φ65mm					
Lighting Mode	Dusk to dawn + Time controll + motion sensor (Bright lighting 30secs when people move through the light)					
Material	High Class Aluminum					
Solar Panel Material	Double-Sided Mono, Single Side Mono, Single side Polycrystal					

B: Environmental

Temperature Range Operating	-20°C to 50°C
Humidity Range Operating	10% to 90%
Temperature Range Storage	-20°C to 65°C
Humidity Range Storage	10% to 90%

Design Features



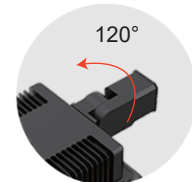
High Brightness OSRAM 5050 LED



Grade A1 LiFeO4 Battery with BMS protection

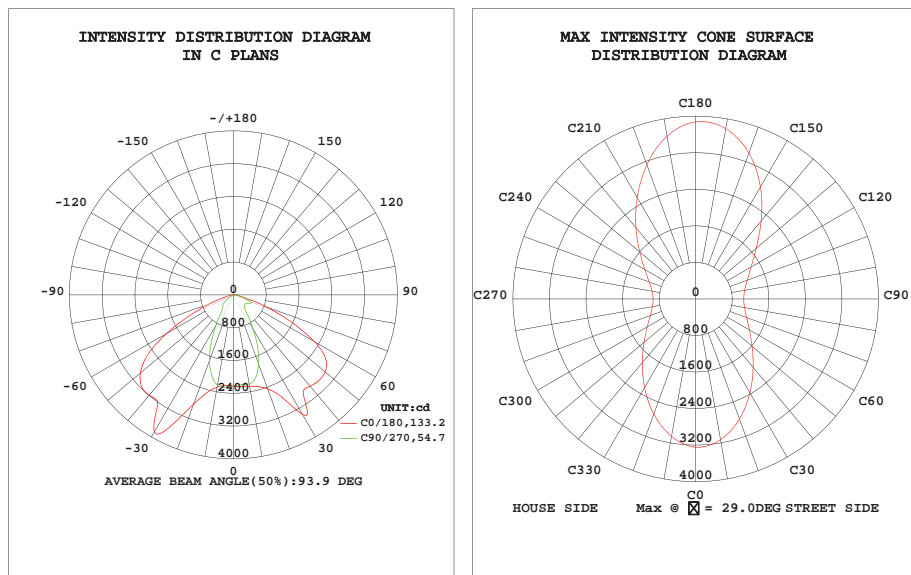


Micro Sensor detective in 180° & 30meter distance



Adjustable bracket

Plane Isolux Curve & Illumination Cone Curve



Packing

A: Packing Information

Item	DS-2000LM	DS-4000LM	DS-6000LM
Box Size	669*433*205 mm	813*433*205mm	957*433*205mm
G.W.	11.14kg	13.26kg	15.28kg
QTY/Box	1pcs	1pcs	1pcs

Item	DS-8000LM	DS-10000LM	DS-12000LM
Box Size	1137*433*205mm	1281*433*205mm	1419*433*205mm
G.W.	17.12kg	19.61kg	21.17kg
QTY/Box	1pcs	1pcs	1pcs

Compliance and Standards

1. Insulation Resistance

The IR shall be at least 50MΩ when apply 500Vdc between primary and secondary

2. Dielectric Strength (Hi -pot)

Input To Output 3750Vac 60Hz 1minute \leq 3MA

When AC voltage of 3.75KV is applied, and the voltage applied to the insulation under test is gradually raised from zero to the prescribed voltage in 1s, and held at that value for 60s between the inputs. and output and between the input and housing, the current sensitivity shall be less than 5mA. After this test, the adapter shall exhibit no electrical and mechanical abnormalities.

3. Leakage Current

The leakage current shall be less than 0.25m A for class II when power supply is operated maximum input voltage and maximum load.

4. Safety Standard

34A-1501NP IEC:60598-1:2008 IEC61347-1/A1:2010 IEC61347-2-13:2006 IEC62031:2008
IEC62471:2006 IEC62471-2:2009: Passed
EN60598-1/A11:2009 EN61347-2-13:2006 EN61347-1/A1:2011 EN62031:2008 EN62471
EN61195:1999 EN62493:2010: Passed

5. EMI/EMS Standard

EN55015:Passed
EN61000-3-2:Passed
EN61000-4-2:Passed