

LED Post Top Light



DESCRIPTIONS

The PT01 Post-Top is an architectural luminaire constructed of rugged aluminum for excellent heat dissipation, it also comes with color temperature and wattages selectable, motion sensor, photocell and emergency backup for additional function. They are versatile to make it an excellent choice for new construction or retrofit applications.

APPLICATIONS

- Landscape
- Gardenyard lighting
- Pedestrian Plazas
- Walking Pathways
- Street Lighting



FEATURES

- 3CCT selectable 3000K/ 4000K/ 5000K
- 3 Wattages selectable
- High Efficacy up to 130LM/W
- Wet location rated IP65
- 150 degree spread over larger areas
- Plug-in motion sensors for options
- Photocell/ emergency battery backup for options



PERFORMANCE SUMMARY

Model	Watts	Lumen	Efficacy (lm/w)	Volt	CCT	CRI	Dim	Beam angle
PT01-40L-X-YY	40W	5200LM	130	120-277VAC	Single CCT 3000K-6500K	>70	1-10V	150° x 150°
PT01-60L-X-YY	60W	7800LM	130	120-277VAC 120-347VAC	Single CCT 3000K-6500K	>70	1-10V	150° x 150°
PT01-80L-X-YY	80W	10400LM	130	120-277VAC 120-347VAC	Single CCT 3000K-6500K	>70	1-10V	150° x 150°
PT01-100L-X-YY	100W	13000LM	130	120-277VAC 120-347VAC	Single CCT 3000K-6500K	>70	1-10V	150° x 150°
PT01-120L-X-YY	120W	15600LM	130	120-277VAC 120-347VAC	Single CCT 3000K-6500K	>70	1-10V	150° x 150°
PT01-40L-X-3CCT	40W	5200LM@40W	130	120-277VAC	3 CCT Select 3000K/4000K/5000K	>70	1-10V	150° x 150°
PT01-60L-X-3CCT	60W	7800LM@60W	130	120-277VAC 120-347VAC	3 CCT Select 3000K/4000K/5000K	>70	1-10V	150° x 150°
PT01-80L-X-3CCT	80W	10400LM@80W	130	120-277VAC 120-347VAC	3 CCT Select 3000K/4000K/5000K	>70	1-10V	150° x 150°
PT01-100L-X-3CCT	100W	13000LM@100W	130	120-277VAC 120-347VAC	3 CCT Select 3000K/4000K/5000K	>70	1-10V	150° x 150°
PT01-120L-X-3CCT	120W	15600LM@120W	130	120-277VAC 120-347VAC	3 CCT Select 3000K/4000K/5000K	>70	1-10V	150° x 150°

Remarks: All above efficacy and lumens are subject to 5000K, please check IES files for accurate data

PERFORMANCE

- LED Type: 2835
- THD: <20%
- Power Factor: ≥0.90
- Frequency: 50/60Hz
- IP Rated: IP65
- IK Rated: IK08
- Life Time >50,000Hrs
- Warranty: 5 years
- Surge Protection: L-N: 2KV L/N-PE: 4KV
- Operating Temp: -22°F to 113°F (-30°C to +45°C)

CONSTRUCTION

- Lens: PC
- Housing: Die-cast Aluminum
- Finish: Grey/black/ customized(Optional)

ADDITIONAL ACCESSORIES



Photocell
 (dusk to dawn)



Plug-in motion sensor
 (zhaga)



Plug-in motion sensor



Emergency battery

MOUNTING



Square Pole



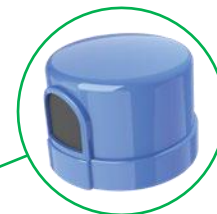
60mm Round Pole



76mm Round Pole

PRODUCT APPEARANCE

3 CCT Select
 3 Wattages



Photocell



Plug-in
 motion sensors

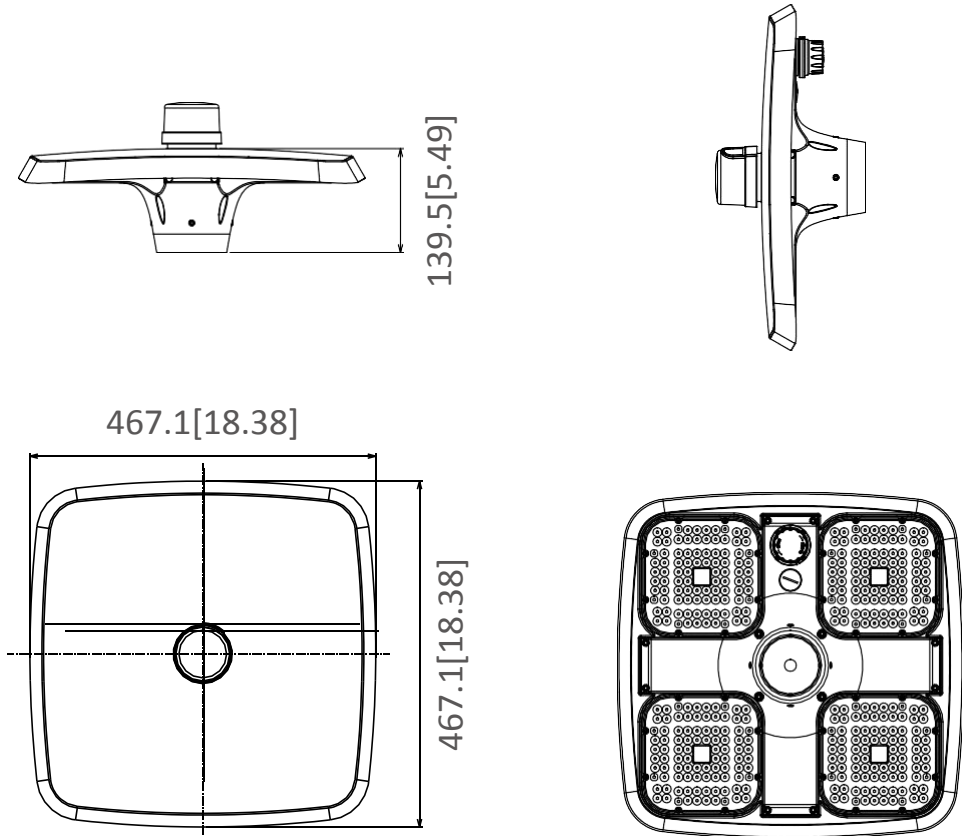


Square/round
 pole mount

PRODUCT DIMENSION

(Unit: mm & inch)

30W-120W



PACKING INFO

Model	Size (inch&mm)	N.W (kgs/pcs)	G.W (kgs/ctn)	Carton Size(mm)	Q'ty/CT N (PCS)	20GP (PCS)	40HQ (PCS)
PT01 30W-120W	φ18.39*18.39*5.50" φ467.1*467.1*139.5			540*540*185	1	474	1152